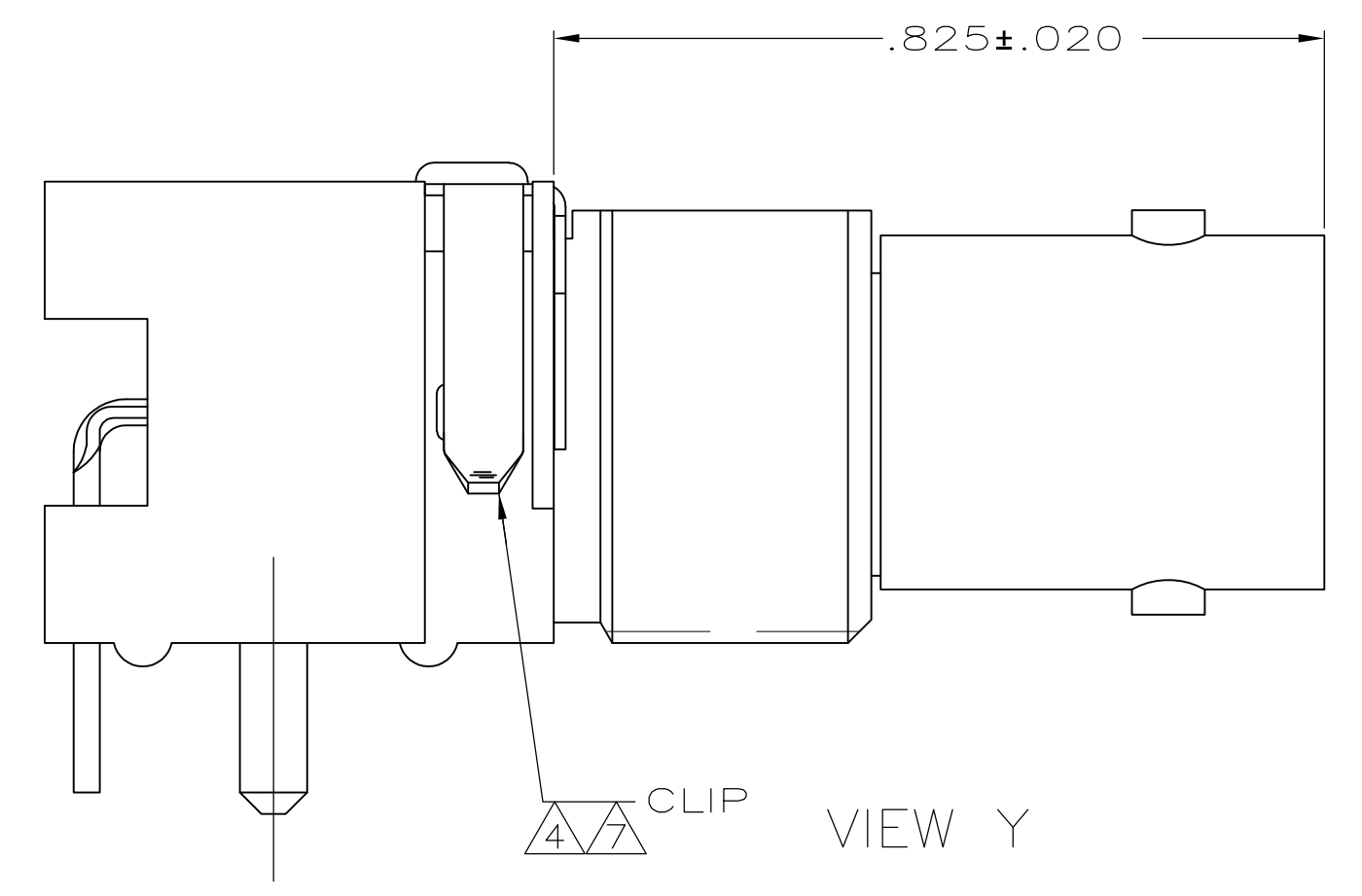
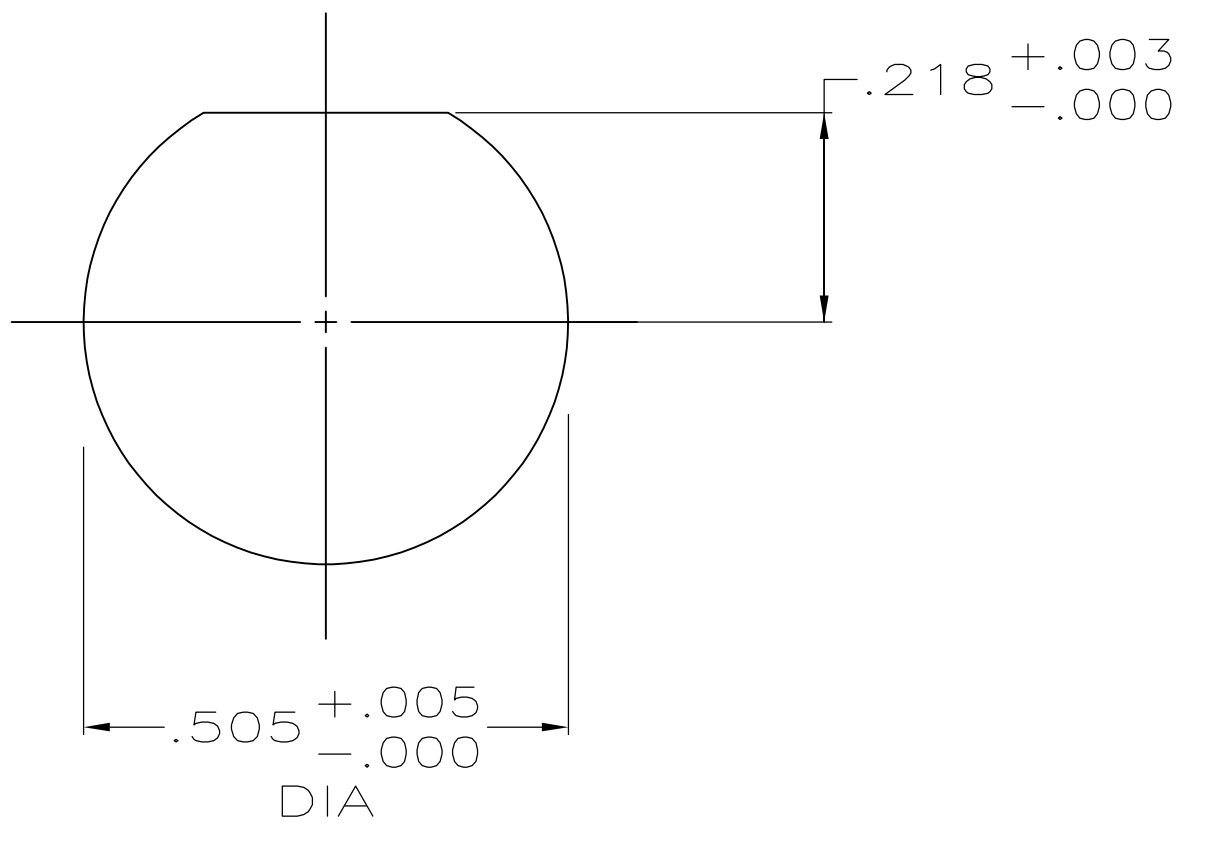
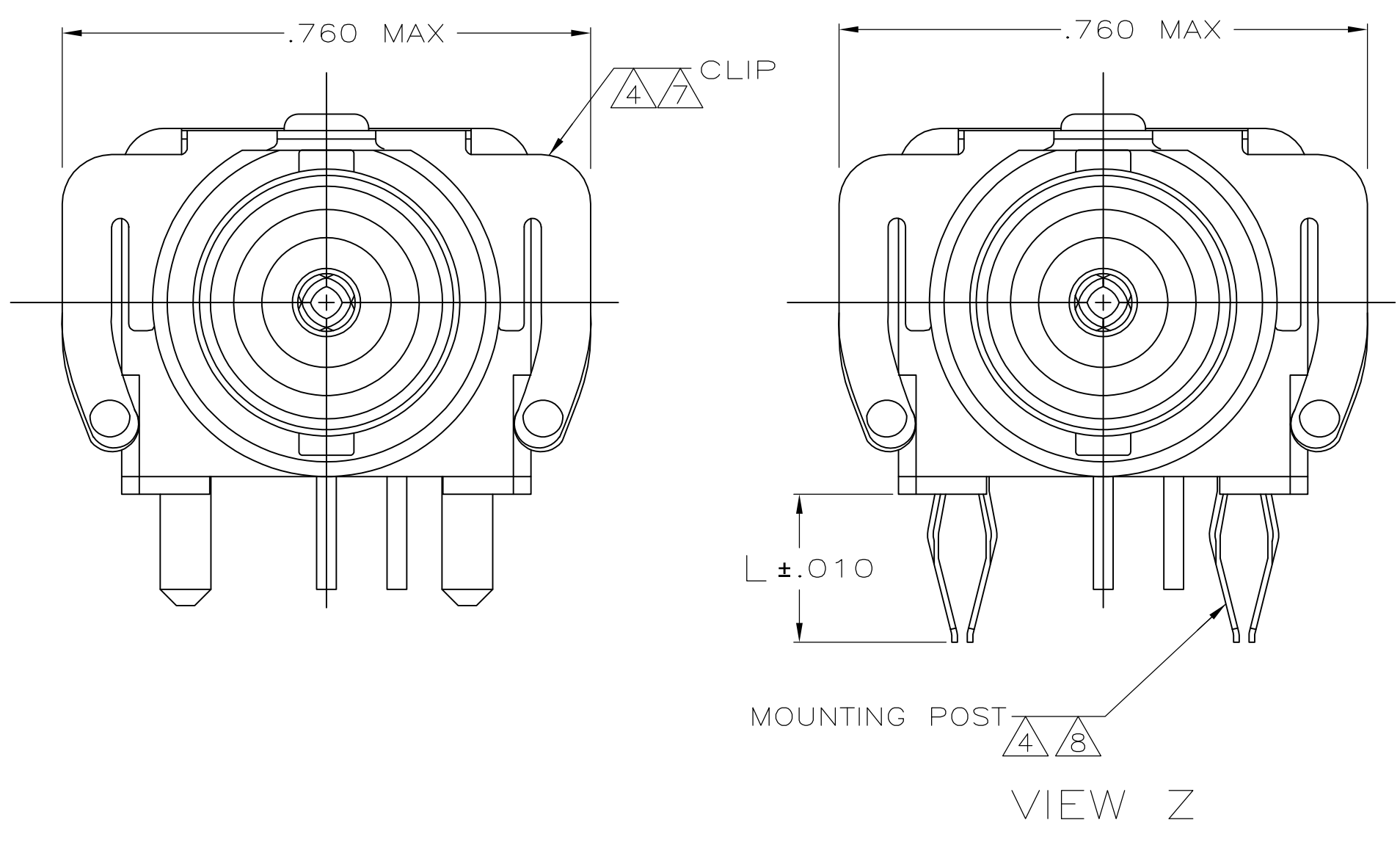
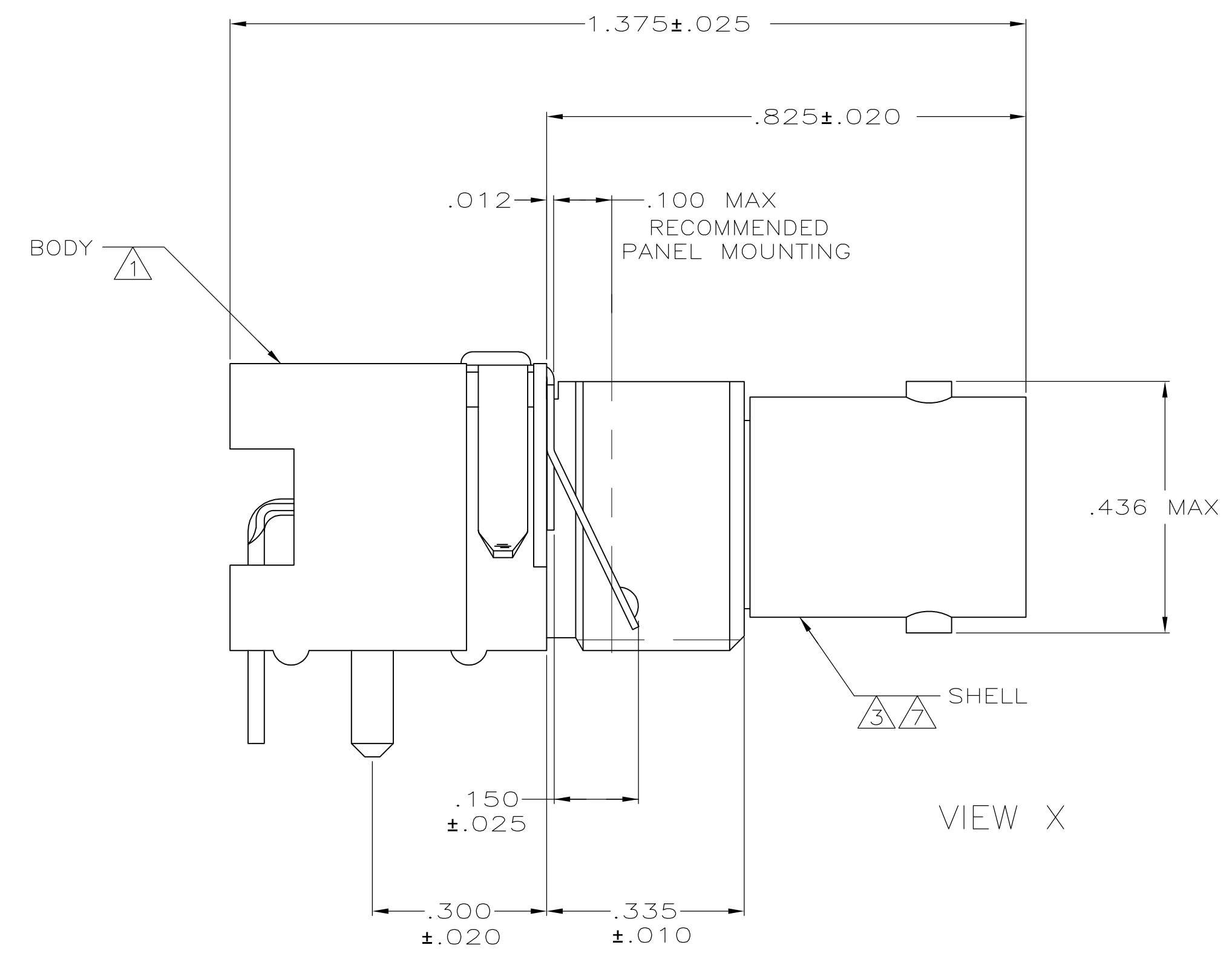
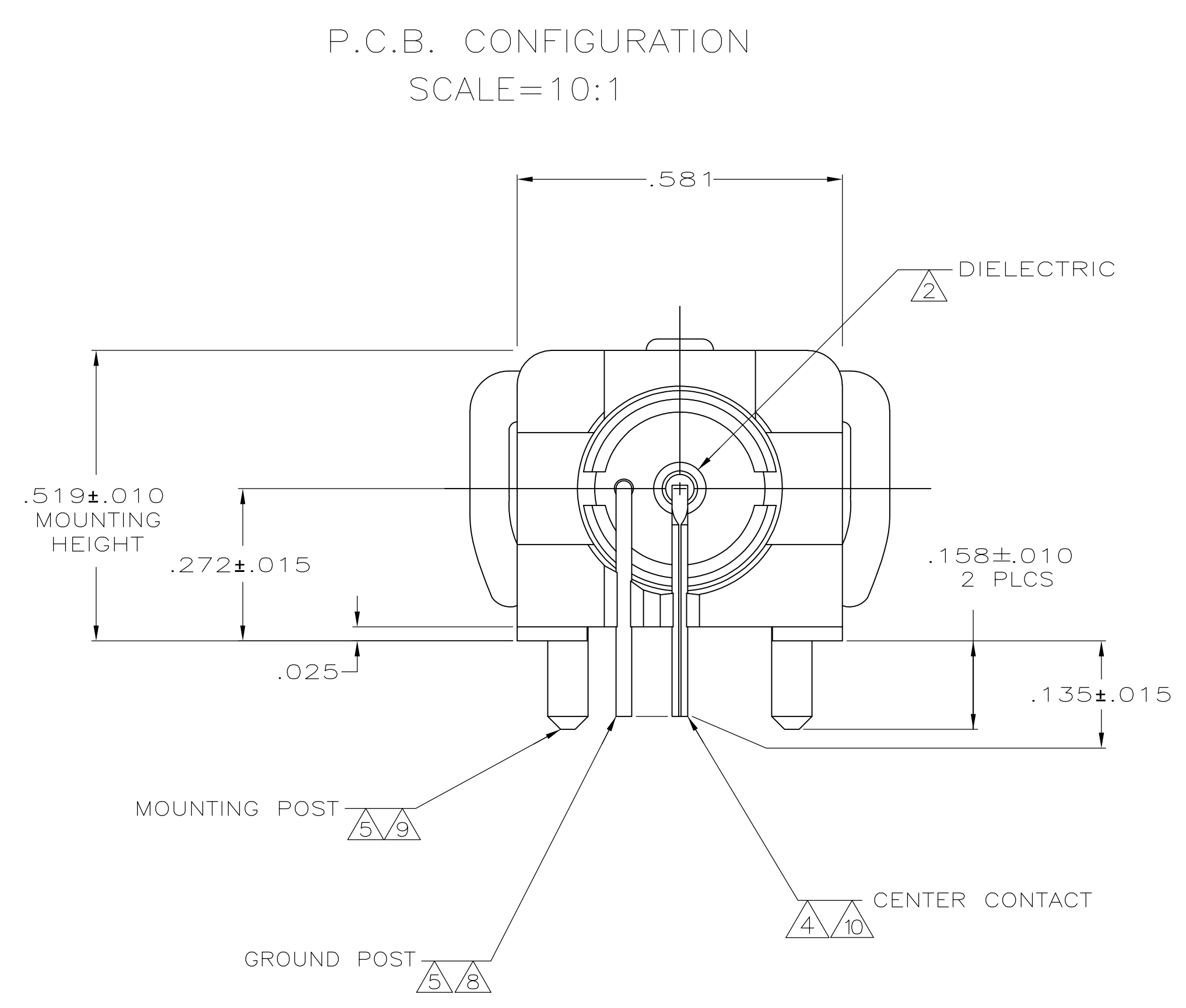


- 1 POLYESTER, PBT, BLACK, PER MIL-M-24519.
- 2 POLYMETHYLPENTENE GENERAL PURPOSE.
- 3 ZINC PER QQ-Z-363.
- 4 PHOSPHOR BRONZE PER QQ-B-750.
- 5 BRASS PER QQ-B-626.
- 6 BRASS PER ASTM-B-453.
- 7 NICKEL PL PER QQ-N-290.
- 8 TIN PLATE PER ASTM-B-545.
- 9 TIN PLATE PER ASTM-B-545.
- 10 SELECTIVELY GOLD PLATED ON INTERFACE AREA PER MIL-G-45204, .000030 THK, TIN PLATED ON SOLDER TAIL PER ASTM-B-545, ALL OVER NICKEL PL PER QQ-N-290.



		VIEW X	VIEW X	1000 pf, 2200 VDC	1-413515-1
SUPERSEDED BY 413515-2		VIEW X OR Y	VIEW X	9400 pf, 1500 VDC	1-413515-0
	.110	VIEW Z	VIEW X	9400 pf, 1500 VDC	413515-9
	.185	VIEW Z	VIEW X	9400 pf, 1500 VDC	413515-8
	.110	VIEW Z	VIEW X	7900 pf, 1600 VDC	413515-7
SUPERSEDED BY 413515-7	.185	VIEW Z	VIEW X	7900 pf, 1600 VDC	413515-6
SUPERSEDED BY 413515-2		VIEW X OR Y	VIEW Y	9400 pf, 1500 VDC	413515-5
SUPERSEDED BY 413515-2		VIEW X OR Y	VIEW X	9400 pf, 500 VDC	413515-4
		VIEW X OR Y	VIEW X	20000 pf, 500 VDC	413515-3
		VIEW X OR Y	VIEW X	9400 pf, 1500 VDC	413515-2
SUPERSEDED BY 413515-2		VIEW X OR Y	VIEW X	9400 pf, 500 VDC	413515-1
	L	MOUNTING POST	CLIP	CAPACITANCE & VOLTAGE	PART NO

THIS DRAWING IS A CONTROLLED DOCUMENT.

DIMENSIONS: INCHES	TOLERANCES UNLESS OTHERWISE SPECIFIED:	DIN P. KERLIN 5/4/90	Tyco Electronics Corporation Middletown, PA 17057
0 PLC ± -	1 PLC ± -	CHK R. E. RUTH 5/18/90	
2 PLC ± -	3 PLC ± .008	APVD P. BIRD 5/18/90	NAME: JACK, DECOUPLER, RIGHT ANGLE, LOW PROFILE, SERIES BNC
4 PLC ± -	ANGLES ± -		PRODUCT SPEC: 108-1269
MATERIAL: THRU	FINISH:	SIZE: A1	APPLICATION SPEC: 00779
		WEIGHT: -	DRAWING NO: 413515
		CUSTOMER DRAWING	SCALE: 4:1 SHEET: 1 OF 1 REV: AB